

QSFP-QSFP Diagnostic Adapter ML4066-QSFP

Rev1.1

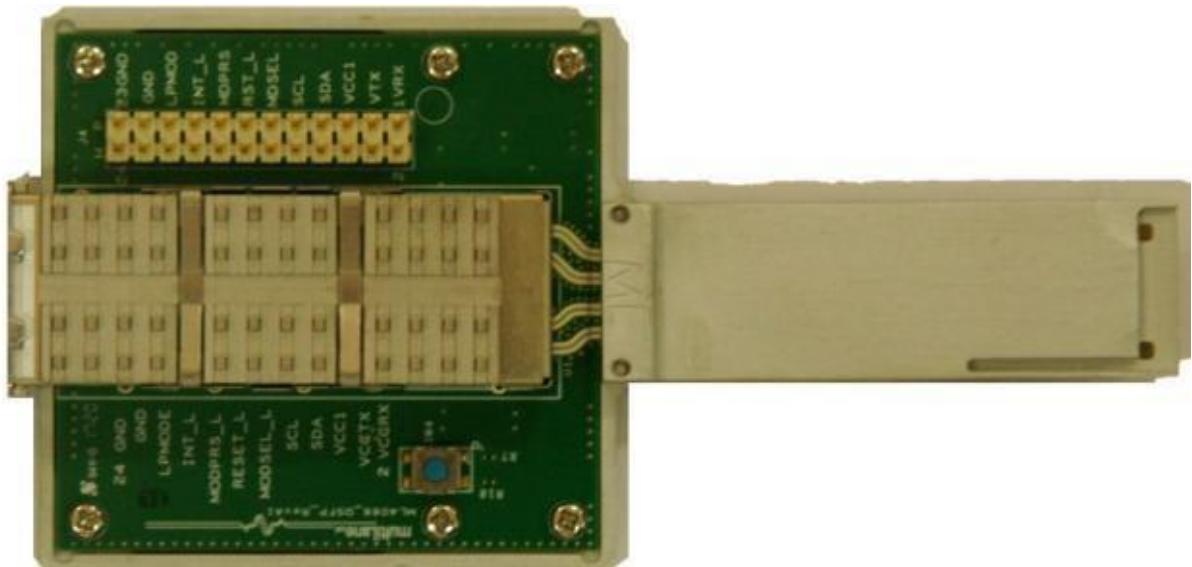


Table of Contents

- 1. General Description 3
- 2. ML4066-QSFP key features 3
- 3. ML4066-QSFP Pin allocation..... 3
 - 3.1 ML4066-QSFP RevA3

1. General Description

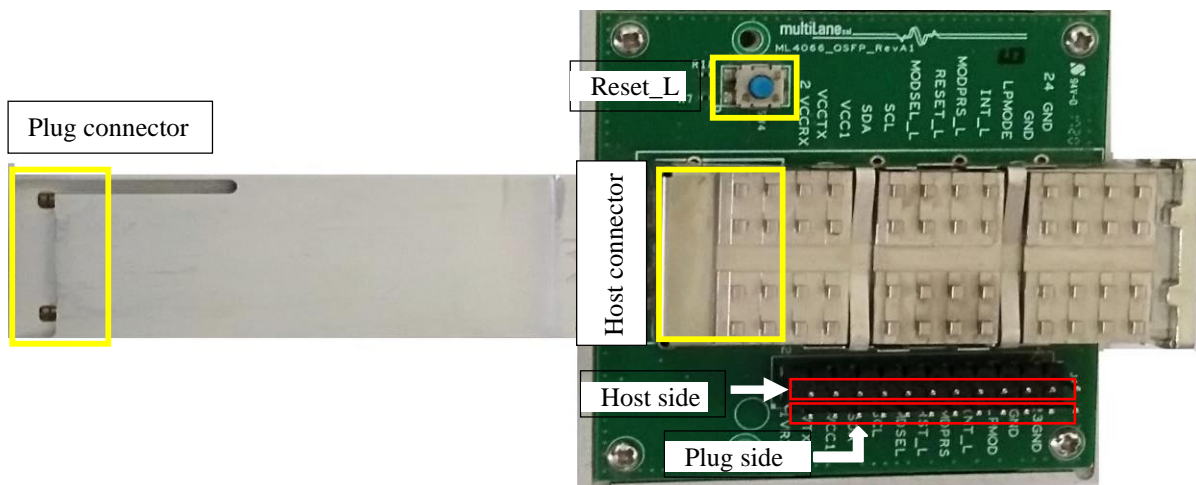
The ML4066-QSFP is a general purpose diagnostic adapter, which allows user to access all QSFP controls, alarms and I2C signals, in addition to power nets, for testing purpose. A pin header connector, that breaks the connection between the “Plug connector” and “Host connector”, is used to access QSFP pins individually, or when using jumpers, allows to connect plug connector to host connector pins, in addition to use this pin header to connect I2C analyzer.

2. ML4066-QSFP key features

- ✓ All high speed signals are connected from the QSFP Plug to the front QSFP host connector with superior SI traces
- ✓ Low insertion loss PCB traces
- ✓ Uses RO4350 PCB material
- ✓ Power pins are accessible via pin headers and can be jumped to connect them to the plugged QSFP transceiver
- ✓ All low speed management signals are accessible via pin headers, and can be jumped to connect them to the plugged QSFP transceiver
- ✓ I2C SCL and SDA signals accessible via pin headers or can be jumped to connect them to the plugged QSFP transceiver
- ✓ Ability to drive I2C from external pin headers, or connect I2C packet analyzer
- ✓ Ability to drive 3.3V from external source for power supply margining
- ✓ Ability to break 3.3V power from Host to module allowing voltage and current measurement
- ✓ Push button for Reset Signal
- ✓ Interface to connect SFF Analyzer board

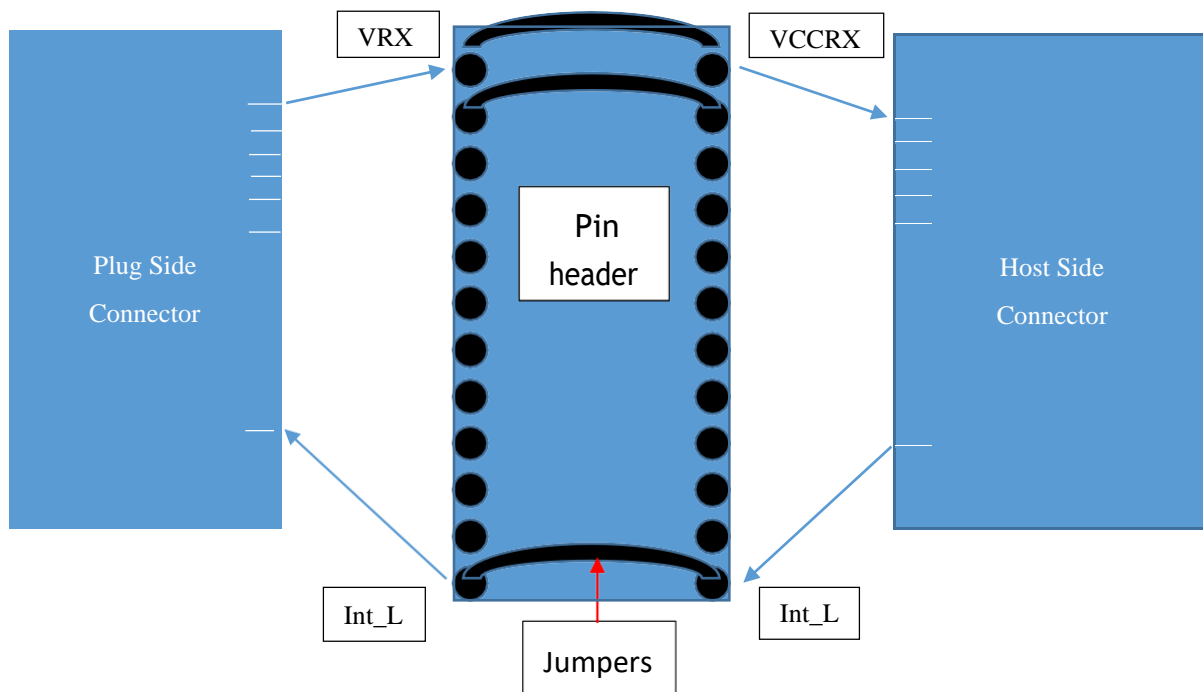
3. ML4066-QSFP Pin allocation

3.1 ML4066-QSFP RevA:



Pin Number (Host Side)	Host Side	Plug Side	Pin Number (Plug Side)
2	VCCR _X	VR _X	1
4	VCCT _X	VT _X	3
6	VCC1	VCC1	5
8	SDA	SDA	7
10	SCL	SCL	9
12	MODSEL_L	MDSEL	11
14	RESET_L	RST_L	13
16	MODPRS_L	MDPRS	15
18	INT_L	INT_L	17
20	LPMODE	LPMOD	19
22	GND	GND	21
24	GND	GND	23

- User can probe or drive the Host side
- User can probe or drive the Plug side
- User can place jumpers to connect the Plug side to the Host side.


North America

48521 Warm Springs Blvd. Suite 310
Fremont, CA 94539
USA
+1 510 573 6388

Worldwide

Houmal Technology Park
Askarieh Main Road
Houmal, Lebanon
+961 5 941 668

Asia

14F-5/ Rm.5, 14F., No 295
Sec.2, Guangfu Rd. East Dist.,
Hsinchu City 300, Taiwan (R.O.C)
+886 3 5744 591