

RF Coaxial Terminator, 1.00 mm (M), 1 Watt

P/N: MLT-100MST-1

Package Contents

| | |
|----------------|------|
| Connector | 1 Pc |
| Protection Cap | 1 Pc |

Materials

| Description | Material | Finish |
|------------------|------------------|-------------|
| Body Material | Stainless Steel | Passivated |
| Center Conductor | Beryllium Bronze | Gold-Plated |

Electrical Specifications

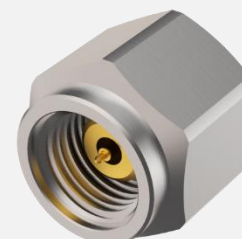
| | |
|-------------------|--|
| Impedance | 50 Ohms |
| Frequency Range | DC to 110 GHz |
| V.S.W.R. | 1.56 max. at 110 GHz |
| RF Power Handling | ≤1 Watt Average at 25°C |
| Peak Power | 20 Watts (5 μSec Pulse Width, 2% Duty Cycle) |

Mechanical Specifications

| | |
|---------------|------------|
| Mating Cycles | 500 Cycles |
|---------------|------------|

Environmental Specifications

| | |
|-----------------------------|----------------|
| Operating Temperature Range | -55 to +125 °C |
|-----------------------------|----------------|



Features:

- Designed for Repeatability and Accuracy
- Wide Variety of Mating Interfaces
- Customizable

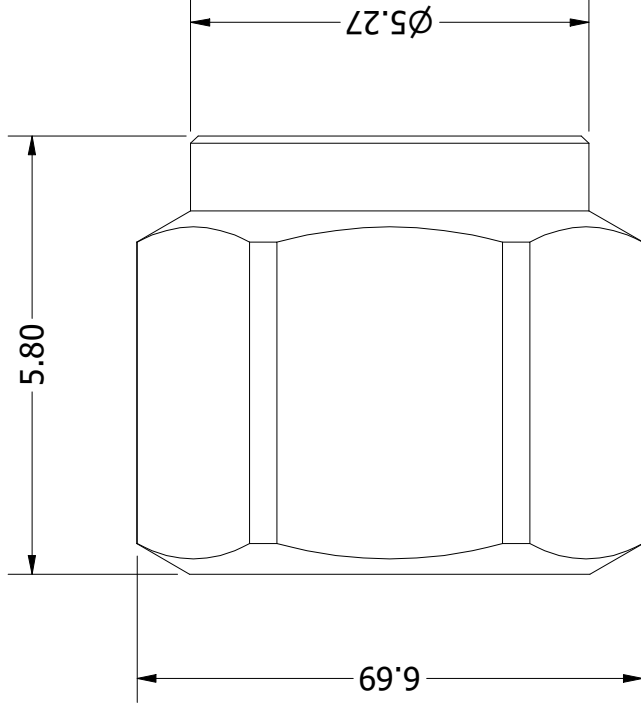
Applications:

- Loads Dissipating Signal Reflections from Open Ports



CAD Drawing

MLT-100MST-1



Title:

RF Coaxial Terminator, 1.00 mm (M) ,
50 Ohm , 1 Watt

Notes:

- 1. All dimensions are in millimetres unless otherwise specified.
- 2. These characteristics are typical and for reference.



www.multilaneinc.com
sales@multilaneinc.com

Rev: A

Scale: 10:1