

RF Coaxial Terminator, 1.00 mm (F), 1 Watt
P/N: MLT-100FST-1

Package Contents

Connector	1 Pc
Protection Cap	1 Pc

Materials

Description	Material	Finish
Body Material	Stainless Steel	Passivated
Center Conductor	Beryllium Bronze	Gold-Plated

Electrical Specifications

Impedance	50 Ohms
Frequency Range	DC to 110 GHz
V.S.W.R.	1.56 max. at 110 GHz
RF Power Handling	≤1 Watt Average at 25°C
Peak Power	20 Watts (5 μSec Pulse Width, 2% Duty Cycle)

Mechanical Specifications

Mating Cycles	500 Cycles
---------------	------------

Environmental Specifications

Operating Temperature Range	-55 to +125 °C
-----------------------------	----------------



Features:

- Designed for Repeatability and Accuracy
- Wide Variety of Mating Interfaces
- Customizable

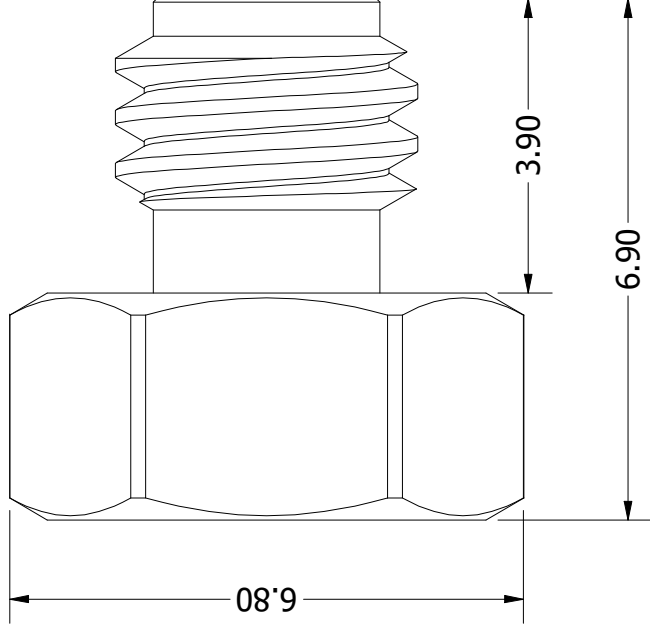
Applications:

- Loads Dissipating Signal Reflections from Open Ports



CAD Drawing

MLT-100FST-1



Title:

RF Coaxial Terminator, 1.00 mm (F),
50 Ohm , 1 Watt

Notes:

- 1. All dimensions are in millimetres unless otherwise specified.
- 2. These characteristics are typical and for reference.

multiLane 

www.multilaneinc.com
sales@multilaneinc.com

Rev: A

Scale: 10:1