

RF Coaxial Adapter, 1.00 mm (M) to 1.00 mm (M)

P/N: MLA-100MST-100MST

Package Contents

Connector	1 Pc
Protection Cap	2 Pcs

Adapter Configuration

End 1	1.00 mm Male
End 2	1.00 mm Male

Materials

Description	Material	Finish
Center Pin	Beryllium Copper	Gold-Plated
Shell	Stainless Steel	Passivated

Electrical Specifications

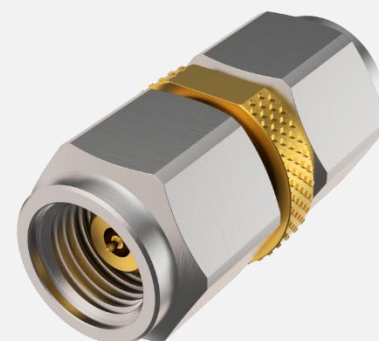
Impedance	50 Ohms
Frequency Range	DC to 110 GHz
V.S.W.R.	1.3 max. at 110 GHz
Insertion Loss	≤0.63 dB max. at 110 GHz

Mechanical Specifications

Durability	≥ 500 Cycles
------------	--------------

Environmental Specifications

Operating Temperature Range	-55 to +165 °C
-----------------------------	----------------



Features:

- Designed for Repeatability and Accuracy
- Wide Variety of Mating Interfaces
- Customizable

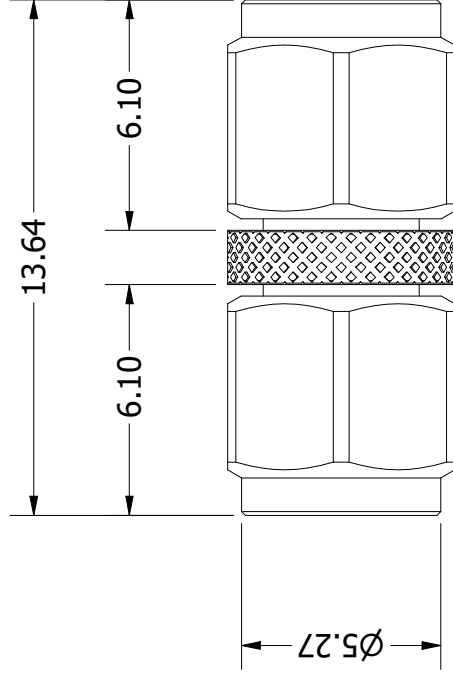
Applications:

- High Speed IO Test Setup: Instrumentation Connection to DUT Eval Boards
- Precision Connector Savers
- Adapts Two Different Precision Interfaces



CAD Drawing

MLA-100MST-100MST



Title:

RF Coaxial Adapter, 1.00 mm (M) to
1.00 mm (M)

Notes:

- 1. All dimensions are in millimetres unless otherwise specified.
- 2. These characteristics are typical and for reference.



www.multilaneinc.com
sales@multilaneinc.com

Rev: A

Scale: 5:1