

RF Coaxial Adapter, 2.92 mm (F) to 2.92 mm (F)

P/N: MLA-292FST-292FST

Package Contents

Connector	1 Pc
Protection Cap	2 Pcs

Adapter Configuration

End 1	2.92 mm Female
End 2	2.92 mm Female

Materials

Description	Material	Finish
Center Pin	Beryllium Copper	Gold-Plated
Shell	Stainless Steel	Passivated

Electrical Specifications

Impedance	50 Ohms
Frequency Range	DC to 40 GHz
V.S.W.R.	1.20 max. at 40 GHz
Insertion Loss	≤0.38 dB max. at 40 GHz

Mechanical Specifications

Durability	≥ 1000 Cycles
------------	---------------

Environmental Specifications

Operating Temperature Range	-65 to +165 °C
-----------------------------	----------------



Features:

- Designed for Repeatability and Accuracy
- Wide Variety of Mating Interfaces
- Customizable

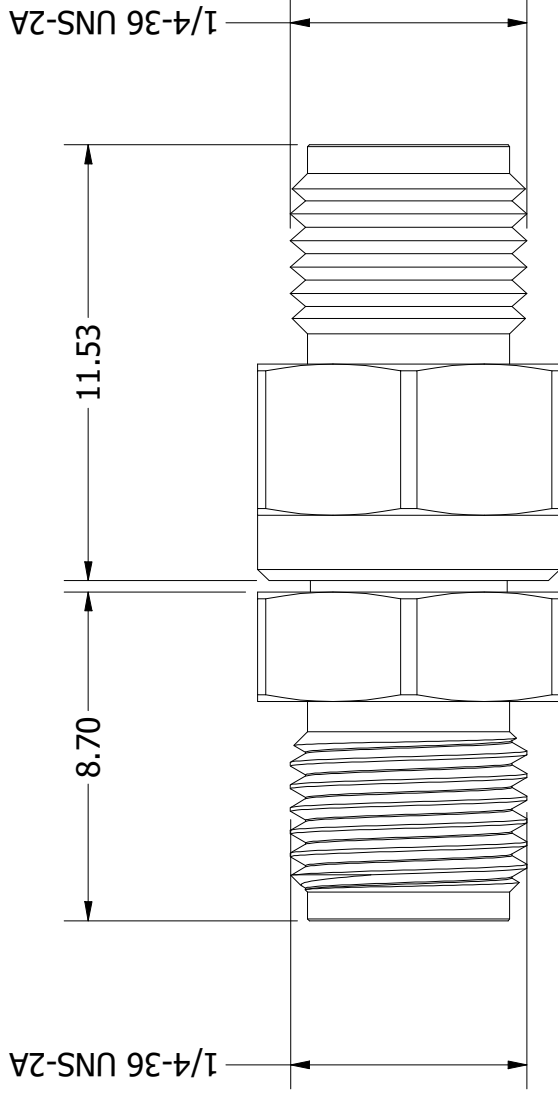
Applications:

- High Speed IO Test Setup: Instrumentation Connection to DUT Eval Boards
- Precision Connector Savers
- Adapts Two Different Precision Interfaces



CAD Drawing

MLA-292FST-292FST



Title:

RF Coaxial Adapter, 2.92 mm (F) to
2.92 mm (F)

Notes:

- 1. All dimensions are in millimetres unless otherwise specified.
- 2. These characteristics are typical and for reference.

multiLane

www.multilaneinc.com
sales@multilaneinc.com

Rev: A

Scale: 5:1