

RF Coaxial Adapter, 2.40 mm (M) to 2.92 mm (M)
P/N: MLA-240MST-292MST

Package Contents

| | |
|----------------|-------|
| Connector | 1 Pc |
| Protection Cap | 2 Pcs |

Adapter Configuration

| | |
|-------|--------------|
| End 1 | 2.40 mm Male |
| End 2 | 2.92 mm Male |

Materials

| Description | Material | Finish |
|-------------|------------------|-------------|
| Center Pin | Beryllium Copper | Gold-Plated |
| Shell | Stainless Steel | Passivated |

Electrical Specifications

| | |
|-----------------|-------------------------|
| Impedance | 50 Ohms |
| Frequency Range | DC to 40 GHz |
| V.S.W.R. | 1.15 max. at 40 GHz |
| Insertion Loss | ≤0.38 dB max. at 40 GHz |

Mechanical Specifications

| | |
|------------|----------------------------|
| Durability | 2.40 mm Male ≥ 1000 Cycles |
| | 2.92 mm Male ≥ 1000 Cycles |

Environmental Specifications

| | |
|-----------------------------|---------------|
| Operating Temperature Range | -55 to +85 °C |
|-----------------------------|---------------|



Features:

- Designed for Repeatability and Accuracy
- Wide Variety of Mating Interfaces
- Customizable

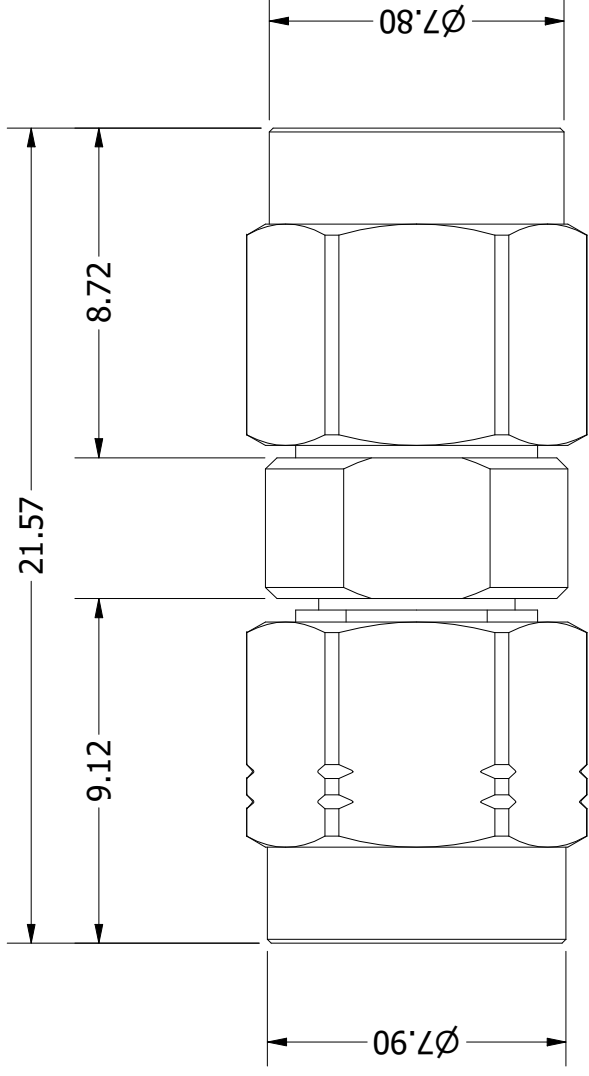
Applications:

- High Speed IO Test Setup: Instrumentation Connection to DUT Eval Boards
- Precision Connector Savers
- Adapts Two Different Precision Interfaces



CAD Drawing

MLA-240MST-292MST



Title:

RF Coaxial Adapter, 2.40 mm (M) to
2.92 mm (M)

Notes:

1. All dimensions are in millimetres unless otherwise specified.
2. These characteristics are typical and for reference.

multiLane 

www.multilaneinc.com
sales@multilaneinc.com

Rev: A

Scale: 5:1